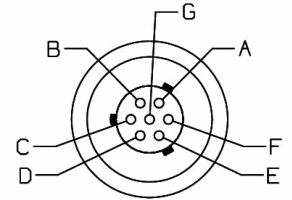


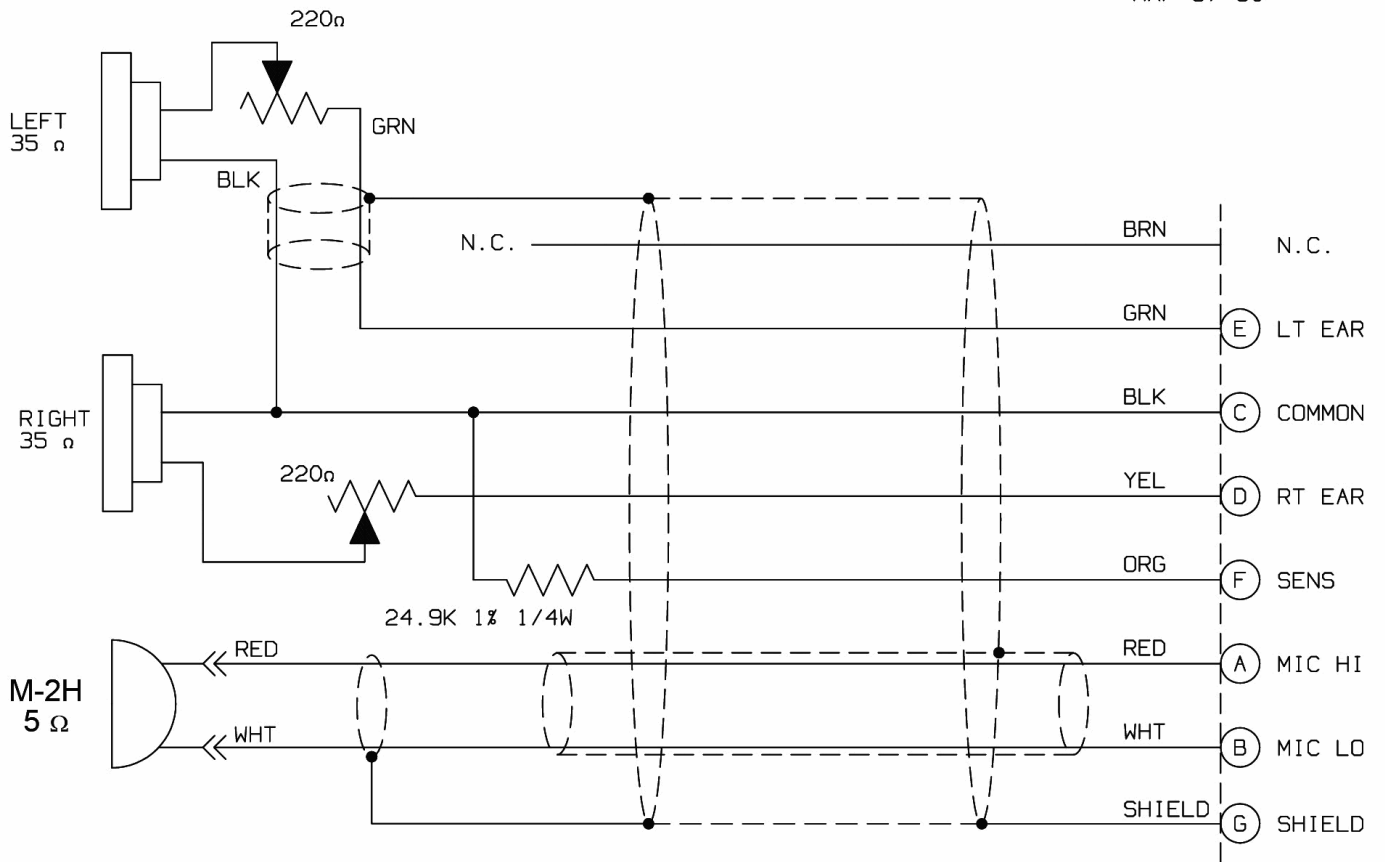
No.	Description	Part No.
1	Dome, Right (Microphone Side)	11353P-80
2	Undercut Gel Earseal (pair)	40863G-02
3	Filter ( 1 each)	14096P-09
4	Dome Filter	25629P-03
5	Screw (10/pk)	13180P-07
6	Earphone Assembly	10476G-03
7	Dome Filter	26475P-02
8	Retaining Ring (10/pk)	00009M-03
9	Headpad Assy	40075G-02
10	Overhead Cord	18741G-47
11	Dome, Left	11353P-79
12	Comm Cord Assy Kit	40599G-98

No.	Description	Part No.
13	Headband Spring	15093P-01
14	Stirrup Assembly	22378G-01
15	Volume Control	09349P-57
16	Boom Attachment Kit	12840G-07
17	Flex Boom Assembly	18740G-51
18	Microphone M-2H 5 OHM	09168P-75
19	Screen, Wind, Mic	15074P-08
20	Windscreen Cover w/Tie	18792G-03
21	Mic Protector/Windscreen Kit	41090G-20
22	Heat Shrink Tube (10/pk)	18326G-02
23	Dome Stop	15097P-01

# ELECTRICAL SCHEMATIC MODEL H9935



EXTERNAL PIN VIEW  
MAP-57-50



1 N.C. - NO CONNECTION