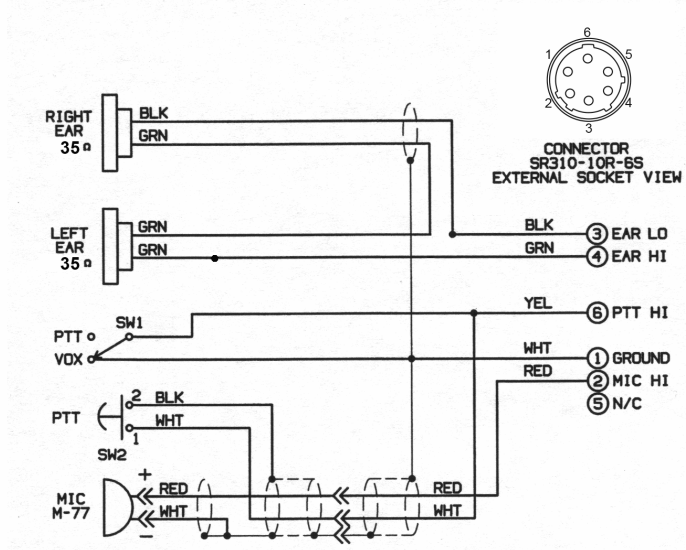


No.	Description	Part No.
1	Adjustable Strap Assembly	10479G-02
2	Undercut Gel Earseal (pair)	40863G-02
3	Filter ( 1 each)	14096P-09
4	Filter	25629P-05
5	Screw/Grommet Kit ( 4 pk)	18900G-47
6	Earphone Assembly	10476G-03
7	Filter	11410P-02
8	Dome, Left (mic side)	11407P-96
9	Snap Stud Kit	18314G-01
10	Dome, Right	11407P-08
11	Spring Assembly	10117G-97
12	Adjustable Strap	10370G-03
13	Overhead Cord	18741G-05
14	Microphone Jack Cord Assembly	18804G-17

No.	Description	Part No.
15	Nut & Washer Kit	12052G-01
16	Connector w/Wires	18818G-05
17	Microphone Cord Assembly	18315G-09
18	Cushion, Mic Shield Assy	18417G-02
19	Mic Shield Filter (1 each)	24653P-02
20	Microphone M-77/DC	09168P-57
21	Microphone Bracket Assy Kit	18317G-02
22	Microphone Shield	11389P-24
23	Shield Assy with Microphone	18226G-13
24	Switch, Toggle	09494P-30
25	Switch Guard	13148P-01
26	Switch, Momentary	09851P-51
27	Sealing Boot, PTT Switch	13145P-18
28	Lock Washer (10/pk)	41090G-06

## ELECTRICAL SCHEMATIC MODEL H6220-M



### Headset-Mic H6220-M Operating Instructions

#### Setup

Please make sure that the radio on/off switch is in the "OFF" position.  
Plug connector end of radio interface cord assembly to the accessory port on the radio.

#### Push-To-Talk

For push-to-talk operation, place the P.T.T./VOX switch in the P.T.T. mode.  
Turn the radio on. (See note above)  
The boom mounted microphone should be positioned 0 - 1/8 inch from user's lips. To transmit, press the push-to-talk switch located at the top of the left ear dome.  
Release switch to receive transmissions.

#### VOX Operation

For voice operated transmission, place the P.T.T./VOX switch in the VOX mode.  
Turn the radio on. (See note above)  
The boom mounted microphone should be positioned 0 - 1/8 inch from user's lips. To transmit, speak clearly into microphone. The transmitter will remain keyed for a short time after speaking. This pause time will allow for radio VOX circuitry to shut off so that transmissions may be received. If system does not operate properly switch radio off. Select operating mode and turn radio on.

If repair is necessary under warranty, the manufacturer's facility, David Clark Company (508-751-5855), will serve as the repair depot. Return the product to the following address (include a brief description of the problem, a return address and daytime phone number):

David Clark Company, Inc.  
360 Franklin Street  
Worcester, MA 01604