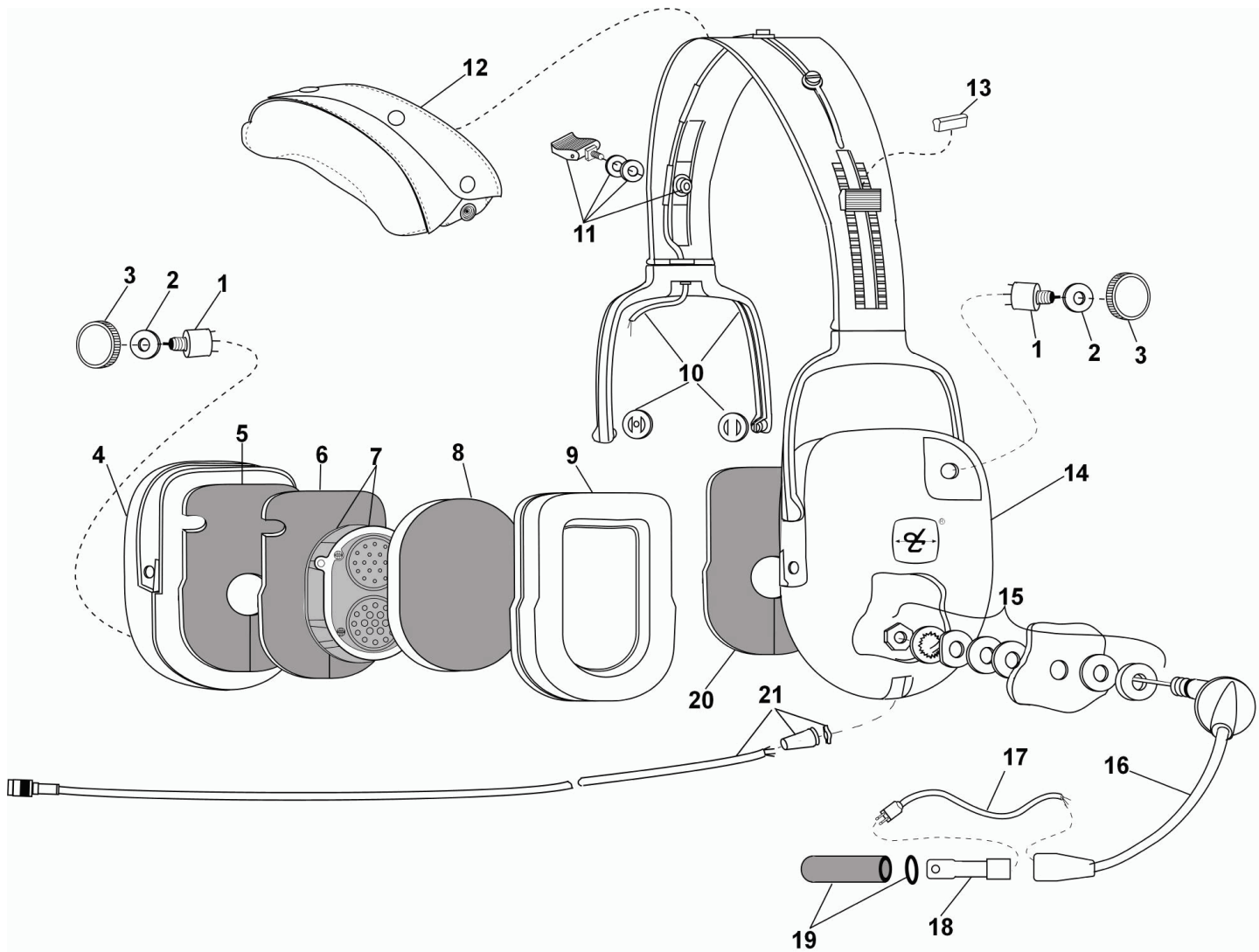


**PARTS LIST
MODEL H20-10X**



No.	Description	Part No.
1	Volume Control	09349P-60
2	Washer, Neoprene (10/pk)	40688G-21
3	Knob, Volume Control	40585G-01
4	Dome, Stamped RH	40500G-02
5	Filter, Dome, Yellow RH (1 each)	14096P-16
6	Filter, Dome, Charcoal (1 each)	14096P-15
7	Module with Bracket	18900G-88
8	Filter, Dome Charcoal (1 each)	14096P-14
9	Flo-Fit Gel Earseals (pr)	40243G-10
10	Headband Assy Kit	18900G-87
11	Headpad Latch Kit	18900G-72

No.	Description	Part No.
12	Headpad, Stretching	40501G-03
13	Latch Stop Kit	18900G-66
14	Dome, Stamped LH	40499G-02
15	Boom Attachment Kit	12840G-13
16	Mic Boom Assembly	18688G-08
17	Microphone Plug Cord	18744G-01
18	M-7A Electret Mic	09168P-33
19	Mic Protector w/ O-Ring	40062G-02
20	Filter, Dome Yellow LH (1 each)	14096P-17
21	Comm Cord Kit	40599G-02

ELECTRICAL SCHEMATIC MODEL H20-10X

